

FITTINGS

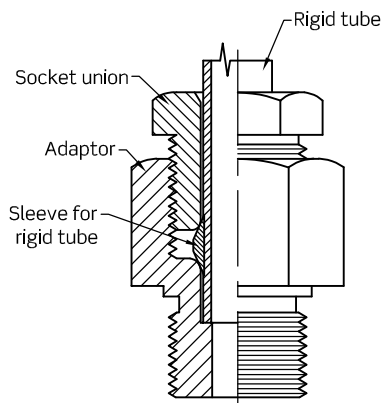
On the following pages the main characteristics of a group of mechanical parts usually known as fittings are shown. They are used to connect with tubes the equipment and accessories that make up the lubrication systems. They can be used in all circuits both hydraulic or pneumatic so long as the pressure does not exceed 50 bar.

Instructions for use

When connecting equipment through tubing we normally find two types of clearly differentiated tubes:

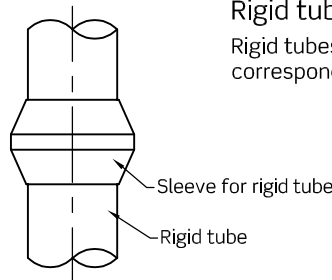
- Rigid tubings: steel tubes, copper tubes, etc...
- Semi-rigid tubings: nylon or resin tubes.

Similarly there are two types of compression fittings (depending on the type of tube): compression fittings for rigid tubes and for semi-rigid tubes with their own particular requirements for tying off.



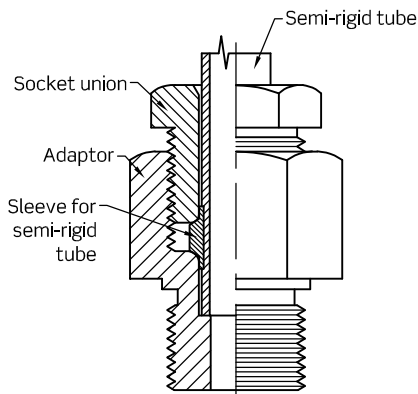
Rigid tube connection

Rigid tubes are tied off **only** with their corresponding compression fitting for rigid tube.

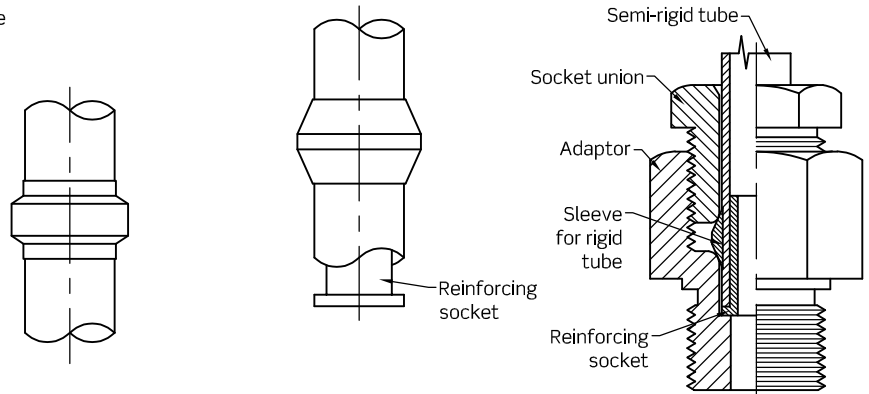


Semi-rigid tube connection

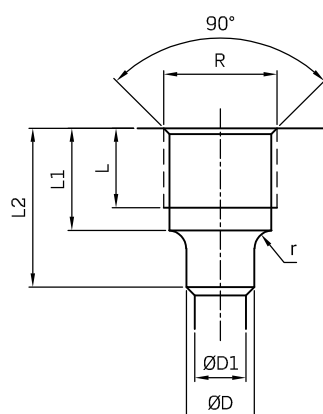
Semi-rigid tubes can be tied off with a compression fitting for semi-rigid tube



They can also be tied off with a compression fitting for rigid tube however you must **always** use a reinforcement cap



Important: before tying off the tube to its final location it is appropriate to tie off the compression fitting to the tube outside the installation using an inlet thread. After checking the quality of pressing proceed to final assembly.

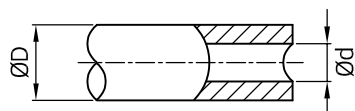


Acomodation dimensions

-For threads according to DIN 3871

-Sleeves according to DIN 3862

R	L +0,2	L1 +0,2	L2 +0,2	ØD B11	ØD1	r
M6x0,75	4,5	5,5	8,5	2,5	1,5	1,3
M8x1	6,5	8,5	12,5	4	3	1,6
M10x1	7	9	14	6	4,5	1,6
M12x1	7	9	15	8	6,5	1,6
M14x1,5	9	11,5	18,5	8	6,5	1,6
M16x1,5	9	11,5	19,5	10	8,5	1,6
M18x1,5	9,5	12	22	12	10,5	1,6



Plastic tube

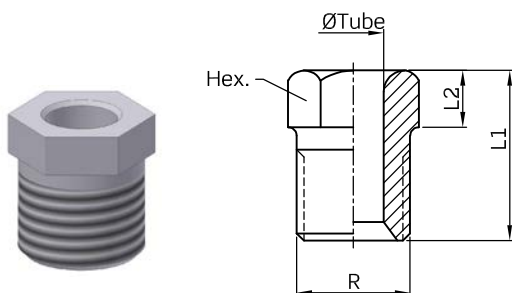
Reference	ØD	Ød	Working pressure at 20°C	Burst pressure at 20°C	Material
910.010.000	4	2	45 bar	135 bar	PA12 white
910.010.001	4	2,7	26 bar	78 bar	PA12 white
910.010.002	2,5	1,5	33 bar	100 bar	PA12 white
910.010.003	6	4	27 bar	81 bar	PA12 white
910.010.005	8	6	19 bar	57 bar	PA12 white
910.010.006	10	8	15 bar	45 bar	PA12 white
910.010.007	12	9	19 bar	57 bar	PA12 white
910.010.008	12	10	12 bar	36 bar	PA12 white
910.010.009	14	12	10 bar	30 bar	PA12 white
910.010.010	15	12	15 bar	45 bar	PA12 white
910.011.020	4	1,5	130 bar	390 bar	PA6.6 black
910.011.001	6	3	95 bar	285 bar	PA6.6 black
910.011.002	8	4	95 bar	285 bar	PA6.6 black

Copper tubes

Reference	ØD	Ød	Burst pressure
910.003.001	2,5	1,5	230 bar
910.003.002	4	2	115 bar
910.003.003	6	4	150 bar
910.003.004	8	6	115 bar
910.003.005	10	8	98 bar
910.003.006	12	10	80 bar
910.003.007	14	12	73 bar

Steel tubes

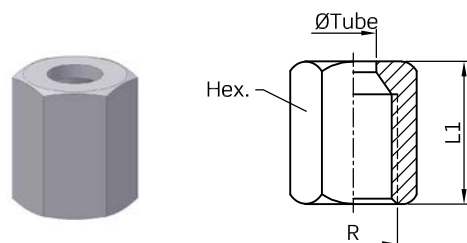
Reference	ØD	Ød
910.002.001	4	2
910.002.002	6	4
910.002.006	8	6
910.002.010	10	8
910.002.013	12	10



Socket union (DIN3871)

Tube Ø	Reference	R	L1	L2	Hex
2,5	955 100 020	M6x0,75	9	3	7
4	955 100 040	M8x1	12	4	8
6	955 100 060	M10x1	13	4	10
8	955 100 080	M14x1,5	16	4,5	14
8	955 100 081	M12x1	16	4,5	12
10	955 100 100	M16x1,5	17	4,5	17
12	955 100 120	M18x1,5	18	6	19

Material: steel with special anti-corrosion treatment.
Others: MS-58, etc... consult.



Female socket union

Tube Ø	Reference	R	L1	Hex
4	956 900 041	M8x1	16	10
6	956 900 060	M10x1	13	12
8	956 900 081	M12x1	15	14

Material: steel with special anti-corrosion treatment.
Others: MS-58, etc... consult.



Sleeve for rigid tube (DIN3862)

Tube Ø	Reference	L1
2,5	955 200 020	4
4	955 200 040	5,5
6	955 200 060	6,5
8	955 200 080	6,5
10	955 200 100	7,5
12	955 200 120	8

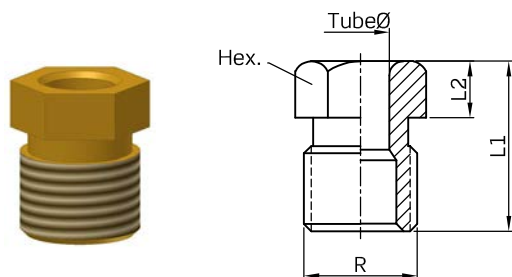
Material: MS-58



Sleeve for flexible tube

Tube Ø	Reference	L1
4	955 204 040	6
6	955 204 060	6,5
8	955 204 080	7
10	955 204 100	8
12	955 204 120	

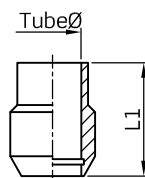
Material: MS-58



Socket union (DIN3871)

TubeØ	Reference	R	L1	L2	Hex
2,5	955 103 020	M6x0,75	9	3	7
4	955 103 040	M8x1	12	4	8
6	955 103 060	M10x1	13	4	10
8	955 103 080	M14x1,5	16	4,5	14
10	955 103 100	M16x1,5	17	5,5	17
12	955 103 120	M18x1,5	18	6	19

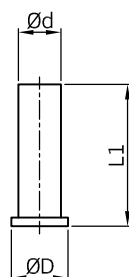
Material: steel with special anti-corrosion treatment.
Others: MS-58, etc... consult.



Sleeve for rigid tube (DIN3862)

TubeØ	Reference	L1
2,5	955 203 020	5,75
4	955 203 040	8
6	955 203 060	9,5
8	955 203 080	11
10	955 203 100	12,5
12	955 203 120	14

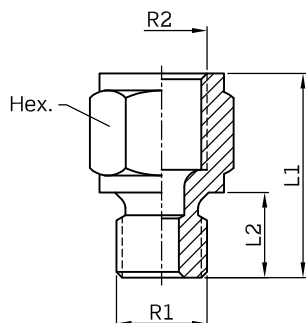
Material: MS-58



Reinforcing sockets for plastic tubes

Tube Ø	Reference	ØD	Ød	L1
2,5 x 0,5	955 300 020	2,5	1,5	10
4 x 0,85	955 300 040	4	2,3	10
4 x 0,75	955 300 041	4	2,5	10
4 x 0,65	955 300 042	4	2,7	10
4 x 1	955 300 043	4	2	10
6 x 1	955 300 060	6	4	12
6 x 1,25	955 300 061	6	3,5	12
6 x 1,5	955 300 062	6	3	10
8 x 1	955 300 080	8	6	15
8 x 1,25	955 300 081	8	5,5	15
8 x 1,5	955 300 082	8	5	15
10 x 1	955 300 100	10	8	18
10 x 1,5	955 300 101	10	7	18
10 x 2	955 300 102	10	6	18
12 x 1,5	955 300 120	12	9	20

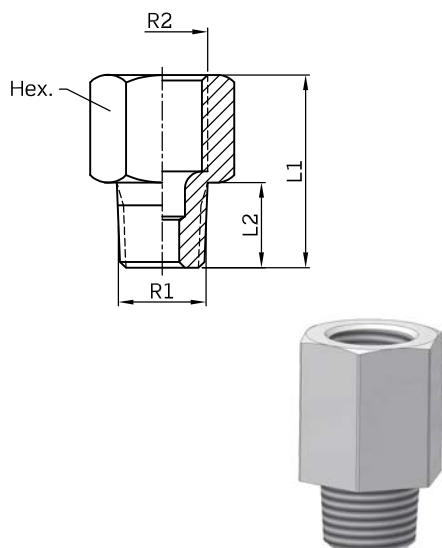
Material: MS-58



Adaptors with cylindrical thread

Tube Ø	Reference	R1	R2	L1	L2	Hex
2,5	955 401 020	M6x0,75	M6x0,75	13	5,5	9
2,5	955 401 021	M6x1	M6x0,75	13	5,5	9
2,5	955 401 022	M8x1	M6x0,75	15	7,5	11
2,5	955 401 023	G1/8	M6x0,75	15	7,5	11
4	955 401 041	M8x1,25	M8x1	22	8	11
4	955 401 042	M8x1	M8x1	18	7,5	11
4	955 401 043	M10x1,5	M8x1	18	7,5	14
4	955 401 044	M10x1	M8x1	18	7,5	14
4	955 401 045	G1/8	M8x1	18	7,5	14
4	955 401 046	M12x1	M8x1	18	9	17
4	955 401 047	G1/4	M8x1	18	9	17
4	955 401 048	M14x1,5	M8x1	18	9	17
6	955 401 060	M8x1,25	M10x1	23	7,5	14
6	955 401 061	M8x1	M10x1	23	7,5	14
6	955 401 062	M10x1,5	M10x1	23	7,5	14
6	955 401 063	M10x1	M10x1	18	7,5	14
6	955 401 064	G1/8	M10x1	18	7,5	14
6	955 401 065	M12x1	M10x1	22	9	17
6	955 401 066	G1/4	M10x1	20	10	17
6	955 401 067	M14x1,5	M10x1	18	9	17
6	955 401 068	M16x1,5	M10x1	19	9	19
6	955 401 069	G3/8	M10x1	19	9	19
8	955 401 080	M10x1	M14x1,5	28	7,5	17
8	955 401 081	M12x1	M14x1,5	29	9	17
8	955 401 082	G1/4	M14x1,5	23	10	17
8	955 401 083	M14x1,5	M14x1,5	26	9	17
8	955 401 084	M16x1,5	M14x1,5	22	9	19
8	955 401 085	M18x1,5	M14x1,5	24	10	22
8	955 401 086	M22x1,5	M14x1,5	24	10	27
8	955 401 087	G1/8	M14x1,5	28	7,5	17
8	955 401 180	M10x1	M12x1	26	7,5	17
8	955 401 181	M12x1	M12x1	26	7,5	17
8	955 401 182	G1/4	M12x1	23	10	17
8	955 401 183	M14x1,5	M12x1	23	9	17
8	955 401 184	M16x1,5	M12x1	22	9	19
8	955 401 185	M8x1	M12x1	26	7,5	17
10	955 401 100	M12x1	M16x1,5	31	9	19
10	955 401 101	G1/4	M16x1,5	30	10	19
10	955 401 102	M14x1,5	M16x1,5	29	9	19
10	955 401 103	M16x1,5	M16x1,5	23	9	19
10	955 401 104	M18x1,5	M16x1,5	24	10	22
10	955 401 105	G1/2	M16x1,5	24	12	27
10	955 401 106	M22x1,5	M16x1,5	24	12	27
12	955 401 120	G1/4	M18x1,5	35	10	22
12	955 401 121	M14x1,5	M18x1,5	33	9	22
12	955 401 122	M18x1,5	M18x1,5	24	10	22
12	955 401 123	M22x1,5	M18x1,5	26	12	27

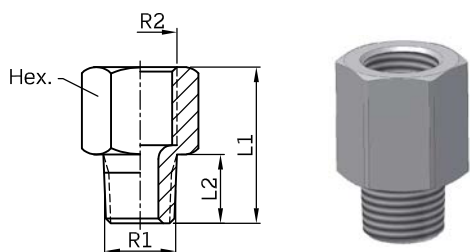
Material: steel with special anti-corrosion treatment.



Adaptors with tapered thread

Tube Ø	Reference	R1	R2	L1	L2	Hex
2,5	955 400 020K	M6x0,75K	M6x0,75	11,5	4,5	8
2,5	955 400 021K	M8x1K	M6x0,75	15	8	9
4	955 400 040K	M6x1K	M8x1	20	6	11
4	955 400 041K	M6x0,75K	M8x1	19	5	11
4	955 400 042K	M8x1K	M8x1	17	7,5	11
4	955 400 043K	M10x1K	M8x1	16	7,5	11
4	955 400 044K	G1/8K	M8x1	16	6	11
4	955 400 045K	G1/4K	M8x1	14	9	14
4	955 400 046K	M5x0,8K	M8x1	26	11	11
6	955 400 060K	M10x1K	M10x1	23	7,5	14
6	955 400 061K	M12x1K	M10x1	18	7,5	14
6	955 400 062K	G1/8K	M10x1	21	6	14
6	955 400 063K	G1/4K	M10x1	20	9	14
8	955 400 080K	G1/8K	M14x1,5	28	6	17

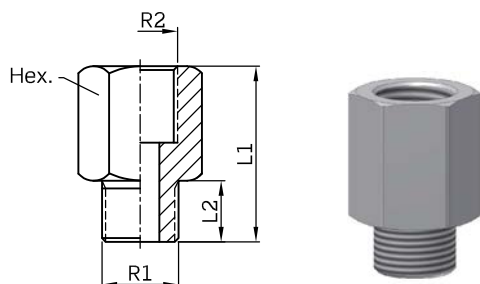
Material: steel with special anti-corrosion treatment.



Bulkhead connector with tapered thread

Tube Ø	Reference	R1	R2	L1	L2	Hex
4	955 402 040K	M8x1K	M8x1	17	7,5	11
4	955 402 041K	M10x1K	M8x1	16	7,5	11
6	955 402 060K	M10x1K	M10x1	18	7,5	14
8	955 402 080K	M14x1,5K	M14x1,5	24	11	17
10	955 402 100K	M16x1,5K	M16x1,5	24	11	19

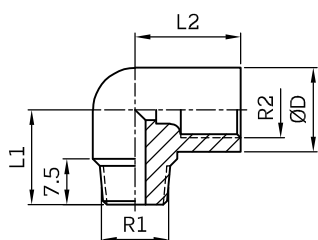
Material: steel with special anti-corrosion treatment.



Reducing adaptors

Reference	R1	R2	L1	L2	Hex
955 403 001	M10x1	G1/8	23	8	14
955 403 002	M10x1	G1/4	27	8	17
955 403 003	M12x1	G1/4	27	8	17
955 403 004	M14x1,5	G1/8	27	12	19
955 403 005	M16x1,5	G1/4	32	12	22
955 403 006	M16x1,5	G1/2	32	12	27
955 403 007	M18x1,5	G3/8	32	14	27
955 403 008	M18x1,5	G1/2	34	14	27
955 403 009	G1/4	G1/2	32	12	27
955 403 010	G3/8	G1/4	30	12	22
955 403 011	G3/8	G1/2	32	12	27
955 403 012	G1/2	G1/4	29	14	27
955 403 013	G1/2	G3/8	32	14	27
955 403 014	G1/2	G3/4	37	14	32
955 403 015	G1/2	G1	40	14	41
955 403 016	G1/2	G1.1/4	42	14	52
955 403 017	G3/4	G1/2	37	16	32
955 403 018	G1	G1/2	39	19	41
955 403 019	M10x1K	G1/4	27	8	17
955 403 021	G1/8	G1/8	25	8	14

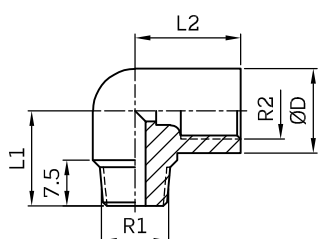
Material: steel with special anti-corrosion treatment.



Elbows with tapered thread

Tube Ø	Reference	R1	R2	ØD	L1	L2
2,5	955 502 020	M6x1	M6x0,75	12	13,5	15
4	955 502 040	M6x1K	M8x1	12	13,5	15
4	955 502 041	M6x0,75K	M8x1	12	13,5	15
4	955 502 042	M8x1K	M8x1	12	13,5	15
4	955 502 044	M10x1K	M8x1	12	13,5	15
4	955 502 045	G1/8K	M8x1	12	13,5	15

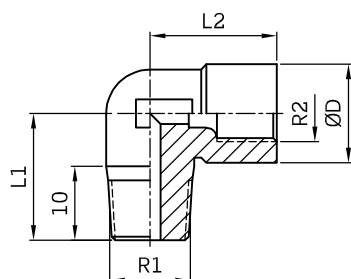
Material: MS-58



Elbows with tapered thread

Tube Ø	Reference	R1	R2	ØD	L1	L2
4	955 501 041	M8x1,25K	M8x1	12	13,5	15
4	955 501 042	M8x1K	M8x1	12	13,5	15
4	955 501 043	M10x1,5K	M8x1	12	13,5	15
4	955 501 044	M10x1K	M8x1	12	13,5	15
4	955 501 045	G1/8K	M8x1	12	13,5	15

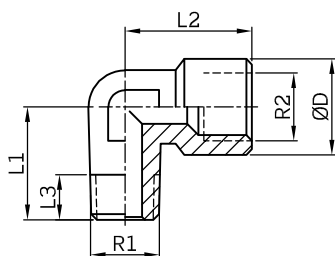
Material: Zamak



Elbows with tapered thread

Tube Ø	Reference	R1	R2	ØD	L1	L2
4	955 500 040	M12x1K	M8x1	14	18	18
4	955 500 041	G1/8K	M8x1	14	18	18
6	955 500 060	M8x1K	M10x1	14	18	18
6	955 500 061	M10x1K	M10x1	14	18	18
6	955 500 062	G1/8K	M10x1	14	18	18
6	955 500 063	M12x1K	M10x1	14	18	18
8	955 500 080	M12x1K	M14x1,5	18	19,5	24
8	955 500 081	M14x1,5K	M14x1,5	18	19,5	24

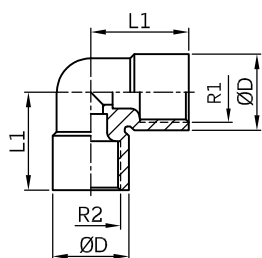
Material: Zamak



Elbows with tapered thread

Reference	R1	R2	ØD	L1	L2	L3
952 002 001	G1/8K	G1/8	14	17	19	8
952 002 002	G1/4K	G1/4	18	22	22	12
952 002 003	G3/8K	G3/8	22	29	29	12
952 002 004	G1/2K	G1/2	27	34	34	14

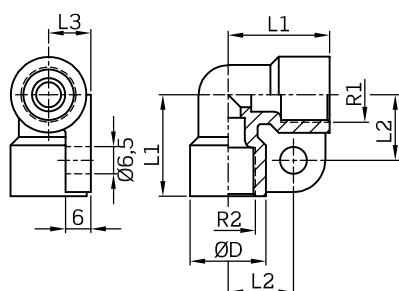
Material: MS-58



Elbow connectors

Tube Ø	Reference	R1	R2	ØD	L1
6-6	956 001 060	M10x1	M10x1	14	18
8-8	956 001 080	M14x1,5	M14x1,5	18	24
8-8	956 001 081	M12x1	M12x1	18	24
10-10	956 001 100	M16x1,5	M16x1,5	21	26

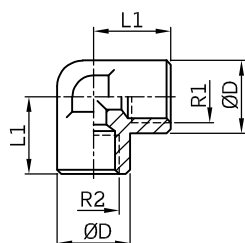
Material: ZAMAK



Bracketed elbow connectors

Tube Ø	Reference	R1	R2	ØD	L1	L2	L3
8-8	956 101 080	M14x1,5	M14x1,5	18	24	15,5	10
8-8	956 101 081	M12x1	M12x1	18	24	15,5	10
10-10	956 101 100	M16x1,5	M16x1,5	21	26	17,5	11

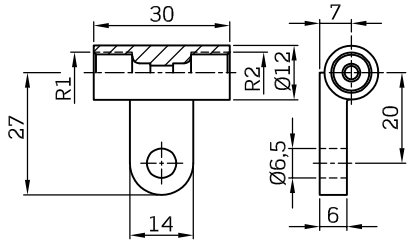
Material: ZAMAK



Elbow connectors

Reference	R1	R2	ØD	L1
952 003 001	G1/8	G1/8	14	13
952 003 002	G1/4	G1/4	18	20
952 003 003	G3/8	G3/8	22	23
952 003 004	G1/2	G1/2	27	28

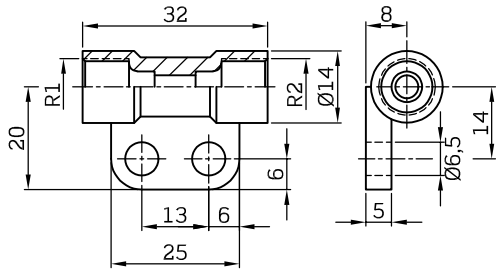
Material: MS-58



Bracketed straight connector

Tube Ø	Reference	R1	R2
4-4	956 100 040	M8x1	M8x1

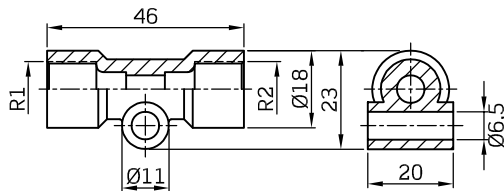
Material: ZAMAK



Bracketed straight connector

Tube Ø	Reference	R1	R2
6-6	956 100 060	M10x1	M10x1

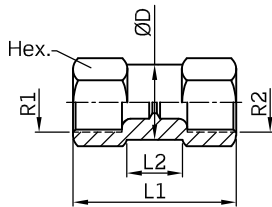
Material: ZAMAK



Bracketed straight connector

Tube Ø	Reference	R1	R2
8-8	956 100 080	M14x1,5	M14x1,5
8-8	956 100 081	M12x1	M12x1

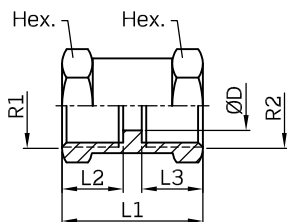
Material: ZAMAK



Straight connector

Tube Ø	Reference	R1	R2	ØD	L1	L2	Hex
4-4	956 000 040	M8x1	M8x1	11	27	13	11
6-6	956 000 060	M10x1	M10x1	14	30	10	14
6-8	956 000 061	M10x1	M14x1,5	17	35	11	17
8-8	956 000 080	M14x1,5	M14x1,5	17	40	14	17
8-8	956 000 081	M12x1	M12x1	17	40	14	17
10-10	956 000 100	M16x1,5	M16x1,5	19	42	13	19
12-12	956 000 120	M18x1,5	M18x,15	22	48	18	22

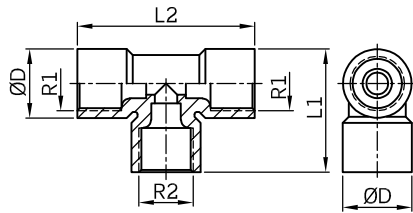
Material: steel with special anti-corrosion treatment.



Straight connector

Reference	R1	R2	ØD	L1	L2	L3	Hex
952 000 001	G1/8	G1/8	6	22	10	10	14
952 000 002	G1/8	G1/4	6	27	10	14	17
952 000 003	G1/4	G1/4	8	31	14	14	17
952 000 004	G1/8	G3/8	6	29	10	14	21
952 000 005	G1/4	G3/8	8	33	14	14	21
952 000 006	G3/8	G3/8	11	32	14	14	21
952 000 007	G1/8	G1/2	6	32	10	16	27
952 000 008	G1/4	G1/2	8	34	14	16	27
952 000 009	G3/8	G1/2	11	34	14	16	27
952 000 010	G1/2	G1/2	15	36	16	16	27
952 000 011	G1/2	G3/4	15	39	18	18	32
952 000 012	G3/4	G3/4	18	40	18	18	32
952 000 013	G1/4	G3/4	8	36	14	18	32
952 000 014	G3/8	G3/4	11	36	14	18	32

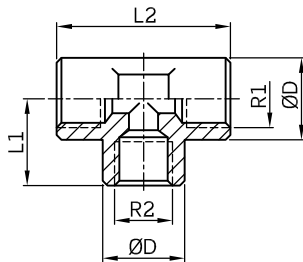
Material: steel with special anti-corrosion treatment.



Tee-shaped connectors

Tube Ø	Reference	R1	R2	ØD	L1	L2
4-4	956 002 040	M8x1	M8x1	12	21	30
6-6	956 002 060	M10x1	M10x1	14	25	36
6-4	956 002 061	M10x1	M8x1	14	25	36
8-8	956 002 080	M14x1,5	M14x1,5	18	31	44
8-8	956 002 081	M12x1	M12x1	18	31	44
10-10	956 002 100	M16x1,5	M16x1,5	20	35	50

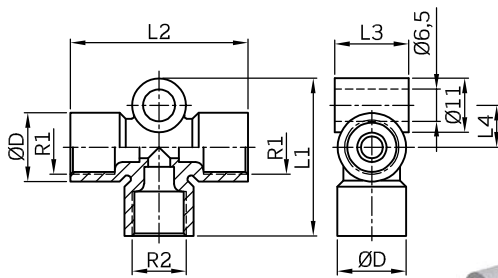
Material: ZAMAK



Tee-shaped connectors

Reference	R1	R2	ØD	L1	L2
952 004 001	G1/8	G1/8	14	13	26
952 004 002	G1/4	G1/4	18	20	40
952 004 003	G3/8	G3/8	22	23	46
952 004 004	G1/2	G1/2	27	28	56

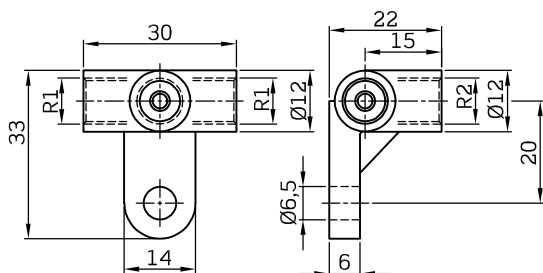
Material: MS-58



Tee-shaped connectors with bracket

Tube Ø	Reference	R1	R2	ØD	L1	L2	L3	L4
4-4	956 102 041	M8x1	M8x1	14	32	36	15	8,5
6-6	956 102 060	M10x1	M10x1	14	32	36	15	8,5
8-8	956 102 080	M14x1,5	M14x1,5	18	36	44	20	8,5
8-8	956 102 081	M12x1	M12x1	18	36	44	20	8,5
8-6	956 102 082	M14x1,5	M10x1	18	36	44	20	8,5
10-10	956 102 100	M16x1,5	M16x1,5	20	42	50	22	11,5

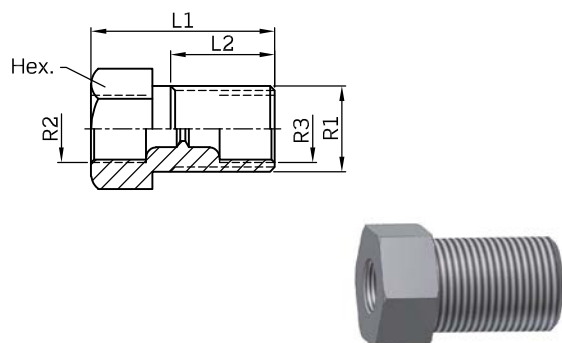
Material: ZAMAK



Tee-shaped connector with bracket

Tube Ø	Reference	R1	R2
4-4	956 102 040	M8x1	M8x1

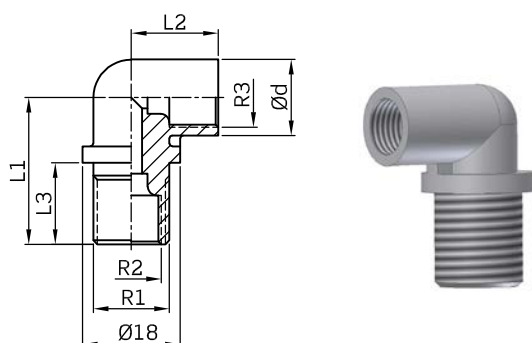
Material: ZAMAK



Straight connectors, tube to tube

Tube Ø	Reference	R1	R2	R3	L1	L2	Hex
4-4	955 900 040	M14x1,5	M8x1	M8x1	27	19	17
4-4	955 900 041	M14x1,5	M8x1	M8x1	38	30	17
4-4	955 900 042	M12x1	M8x1	M8x1	27	19	14
6-6	955 900 060	M14x1,5	M10x1	M10x1	30	20	17
6-6	955 900 062	M14x1,5	M10x1	M10x1	30	20	19
8-6	955 900 061	M16x1,5	M14x1,5	M10x1	35	23	19
8-8	955 900 080	M20x1,5	M14x1,5	M14x1,5	40	28	24
8-8	955 900 081	M20x1,5	M12x1	M12x1	40	28	24
10-10	955 900 100	M20x1,5	M16x1,5	M16x1,5	42	27	24
12-12	955 900 120	M24x1,5	M18x1,5	M18x1,5	48	33	27

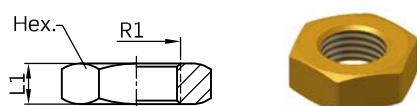
Material: steel with special anti-corrosion treatment.



Elbow connectors, tube to tube

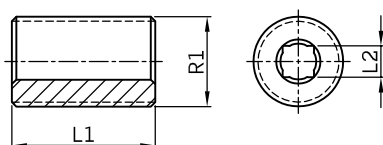
Tube Ø	Reference	R1	R2	R3	Ød	L1	L2	L3
4-4	955 901 040	M14x1,5	M8x1	M8x1	12	33	15	22
6-6	955 901 060	M14x1,5	M10x1	M10x1	14	27	16	15

Material: ZAMAK



Nut for tube to tube connectors

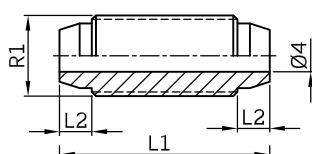
Reference	R1	L1	Hex
955 905 005	M12x1	6	19
955 905 006	M14x1,5	8	22
955 905 007	M16x1,5	8	24
955 905 008	M20x1,5	9	30
955 905 009	M24x1,5	10	36



Threaded sockets

Reference	R1	L1	L2
955 800 001	M8x1	13	3,5
955 800 002	M10x1	16	3,5
955 800 003	M12x1	17	5,5
955 800 004	M14x1,5	18	5,5
955 800 005	M16x1,5	18	7

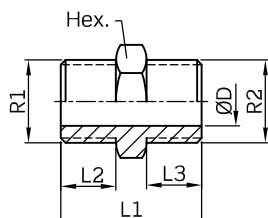
Material: steel with special anti-corrosion treatment.



Threaded sockets

Reference	R1	L1	L2
955 803 001	M10x1	26	5

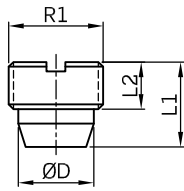
Material: MS-58



Threaded sockets

Reference	R1	R2	ØD	L1	L2	L3	Hex
955 801 001	M10x1	M12x1	5	21	6	7	14
955 801 002	M12x1	M14x1,5	6	21	7	7	17
955 801 003	G1/8	G1/8	5	20	8	8	14
955 801 004	G1/4	G1/4	7	29	12	12	17
955 801 005	G3/8	G3/8	9	30	12	12	21
955 801 006	G1/2	G1/2	12	35	14	14	27
955 801 008	M10x1	M10x1	5	20	6	6	14
955 801 010	G1/8	G1/4	5	25	8	12	17
955 801 011	G1/8	G3/8	5	26	8	12	21
955 801 012	G1/4	G3/8	7	30	12	12	21
955 801 013	G1/8	G1/2	5	29	8	14	27
955 801 014	G1/4	G1/2	7	33	12	14	27
955 801 015	G3/8	G1/2	9	33	12	14	27
955 801 016	G1/2	G3/4	12	38	14	16	32
955 801 017	G3/4	G3/4	16	40	16	16	32

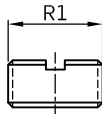
Material: steel with special anti-corrosion treatment.



Screw plug with cone

Reference	R1	ØD	L1	L2
955 700 001	M8x1	6	9	5
955 700 002	M10x1	8	9	5
955 700 003	M12x1	10	10	5
955 700 004	M14x1,5	10	10	5
955 700 005	M16x1,5	12		

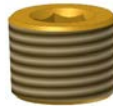
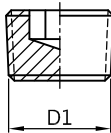
Material: steel with special anti-corrosion treatment.



Screw plug without cone

Reference	R1	Reference	R1
955 700 201	M6x1	955 700 211	G1/8
955 700 202	M8x1	955 700 212	G1/4
955 700 203	M8x1,25		
955 700 204	M10x1		
955 700 205	M10x1,5		
955 700 206	M12x1		
955 700 207	M14x1,5		
955 700 208	M16x1		
955 700 209	M16x1,5		
955 700 210	M18x1,5		

Material: steel with special anti-corrosion treatment.

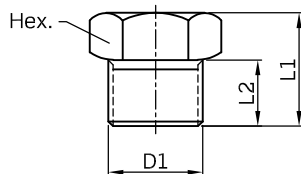


Screw plug with internal hexagon (DIN906)

Reference	R1	Reference	R1
955 707 001	G1/8K	955 707 011	G1/8K
955 707 002	G1/4K	955 707 012	G1/4K
955 707 003	G3/8K	955 707 013	G3/8K
955 707 004	G1/2K	955 707 014	G1/2K
955 707 005	G3/4K	955 707 015	G3/4K
955 707 006	G1K	955 707 016	G1K
955 707 007	G1.1/4K	955 707 017	G1.1/4K
955 707 008	G1.1/2K	955 707 018	G1.1/2K

Material: steel with special anti-corrosion treatment.

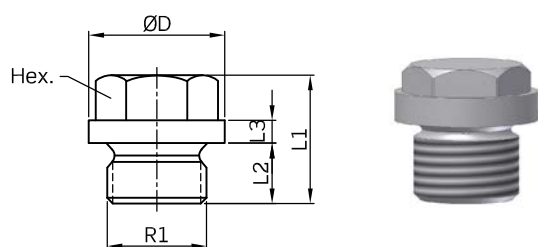
Material: MS-58



Screw plug with hexagonal head

Reference	R1	L1	L2	Hex
955 701 001	M6x0,75	9	5	9
955 701 002	M8x1	10	6	11
955 701 003	M10x1	12	7	12
955 701 004	M12x1	12	7	14
955 701 005	M14x1,5	12	7	17
955 701 006	M16x1,5	14	8	19
955 701 009	M18x1,5	15	10	22
955 701 010	M6x1	9	5	9
955 701 007	G1/8	12	7	12
955 701 008	G1/4	17	12	17
955 701 012	G3/8	17	12	21
955 701 013	G1/2	20	14	27
955 701 014	G3/4	22	16	32
955 701 015	G1	25	18	41

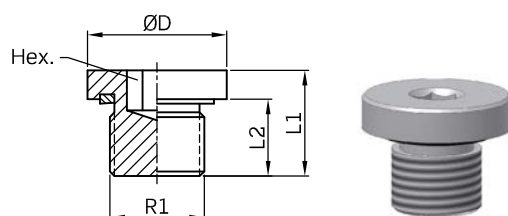
Material: steel with special anti-corrosion treatment.



Screw plug with hoop and hexagonal head (DIN910)

Reference	R1	ØD	L1	L2	L3	Hex
955 708 001	G1/8	14	17	8	3	11
955 708 002	G1/4	18	17	8	3	14
955 708 003	G3/8	22	21	12	3	17
955 708 004	G1/2	26	26	14	4	19
955 708 005	G3/4	32	30	16	4	24
955 708 006	G1	39	32	16	5	27

Material: steel with special anti-corrosion treatment.

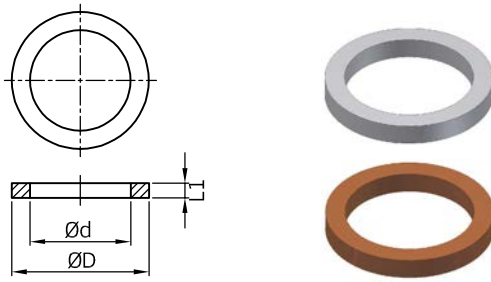


Screw plug with washer and internal hexagon

Reference	R1	ØD	L1	L2	Hex
955 707 200	M8x1	12	12	8	4
955 707 201	M10x1	14	12	8	5
955 707 203	M12x1,5	17	17	12	6
955 707 204	M14x1	17	10	7	6
955 707 205	M14x1,5	19	17	12	6
955 707 206	M16x1,5	22	17	12	8
955 707 207	M18x1,5	24	17	12	8
955 707 208	M20x1,5	26	19	14	10
955 707 209	M22x1,5	27	19	14	10
955 707 210	M24x1,5	29	19	14	10
955 707 211	M26x1,5	32	21	16	12
955 707 212	M27x2	32	21	16	12
955 707 213	M33x2	40	22,5	16	17
955 707 214	M42x2	50	22,5	16	22
955 707 215	M48x2	55	22,5	16	24
955 707 101	G1/8	14	12	8	5
955 707 102	G1/4	19	17	12	6
955 707 103	G3/8	22	17	12	8
955 707 104	G1/2	27	19	14	10
955 707 105	G3/4	32	21	16	12
955 707 106	G1	40	22,5	16	17
955 707 107	G1.1/4	50	22,5	16	22
955 707 108	G1.1/2	55	22,5	16	24

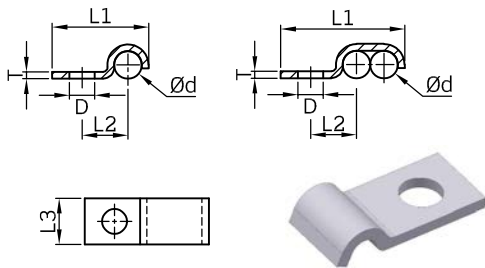
Material: steel with special anti-corrosion treatment.

Locking washers



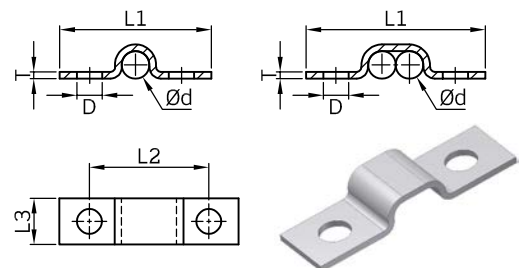
Reference ALUMINIUM	Reference CUPPER	Ød (+0,3)	ØD (-0,2)	L1 (±0,2)	For thread
956 600 003	956 601 003	10,2	13,9	1	G1/8
956 600 006	956 601 006	13,3	17,9	1,5	G1/4
956 600 009	956 601 009	17,2	20,9	1,5	G3/8
956 600 012	956 601 012	21,2	25,9	1,5	G1/2
956 600 016	956 601 016	27,3	31,9	2	G3/4
956 600 018	956 601 018	33,3	38,9	2	G1
956 600 022	956 601 022	42,3	48,9	2	G1.1/4
956 600 024	956 601 024	48,3	54,9	2	G1.1/2

Reference ALUMINIUM	Reference CUPPER	Ød (+0,3)	ØD (-0,2)	L1 (±0,2)	For thread
956 600 001	956 601 001	6,2	9,9	1	M6
956 600 002	956 601 002	8,2	11,4	1	M8
956 600 003	956 601 003	10,2	13,9	1	M10
956 600 004	956 601 004	12,2	15,9	1,5	M12
956 600 007	956 601 007	14,2	17,9	1,5	M14
956 600 008	956 601 008	16,2	19,9	1,5	M16
956 600 010	956 601 010	18,2	21,9	1,5	M18
956 600 011	956 601 011	20,2	23,9	1,5	M20
956 600 013	956 601 013	22,2	26,9	1,5	M22
956 600 014	956 601 014	24,3	28,9	2	M24
956 600 015	956 601 015	26,3	30,9	2	M26
956 600 016	956 601 016	27,3	31,9	2	M27
956 600 017	956 601 017	30,3	35,9	2	M30
956 600 018	956 601 018	33,3	38,9	2	M33
956 600 019	956 601 019	36,3	41,9	2	M36
956 600 020	956 601 020	38,3	43,9	2	M38
956 600 021	956 601 021	39,3	45,9	2	M39
956 600 022	956 601 022	42,3	48,9	2	M42
956 600 023	956 601 023	45,3	51,9	2	M45
956 600 024	956 601 024	48,3	54,9	2	M48



Fixing clips (DIN72571 - 1 mooring bracket)

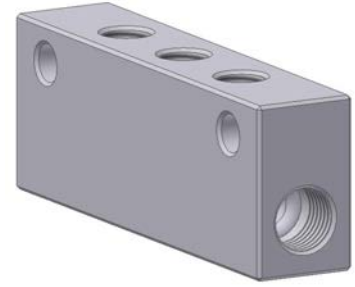
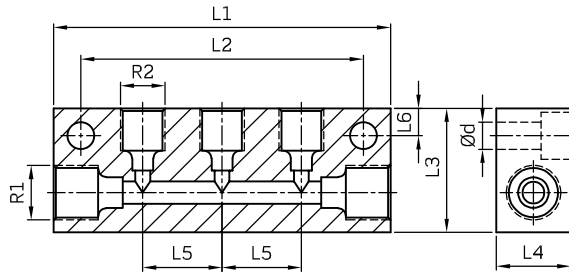
Tube Ø	Reference	Tubes n°	ØD	L1	L2	L3	T
2,5	956 700 021	1	3,5	11	5	6	1,5
2,5	956 700 022	2	3,5	13,5	5	6	1,5
4	956 700 041	1	5,5	19	9	10	1,5
4	956 700 042	2	5,5	22,5	9	10	1,5
4	956 700 043	3	5,5	26,5	9	10	1,5
6	956 700 061	1	5,5	21	10	10	1,5
8	956 700 081	1	5,5	24	12	10	1,5



Fixing clips (DIN72573 - 2 mooring brackets)

Tube Ø	Reference	Tubes n°	ØD	L1	L2	L3	T
4	956 701 041	1	4,8	30	18	10	1
4	956 701 042	2	4,8	34	22	10	1
4	956 701 043	3	4,8	38	26	10	1
4	956 701 044	4	5,5	42	30	10	1,5
4	956 701 045	5	5,5	46	34	10	1,5
4	956 701 046	6	5,5	50	38	10	1,5
4	956 701 048	8	5,5	58	46	10	1,5
6	956 701 061	1	4,8	32	20	10	1
6	956 701 062	2	4,8	38	26	10	1
6	956 701 063	3	4,8	45	33	10	1
6	956 701 064	4	4,8	51	39	10	1
6	956 701 065	5	4,8	57	45	10	1
6	956 701 066	6	4,8	64	52	10	1
8	956 701 081	1	4,8	34	22	10	1
8	956 701 082	2	4,8	42	30	10	1
8	956 701 083	3	4,8	51	39	10	1
8	956 701 084	4	4,8	59	47	10	1
8	956 701 085	5	4,8	68	56	10	1
8	956 701 086	6	4,8	76	64	10	1
10	956 701 101	1	4,8	34	22	10	1
10	956 701 102	2	4,8	44	32	10	1
10	956 701 103	3	4,8	55	43	10	1
10	956 701 104	4	4,8	65	53	10	1
12	956 701 121	1	5,8	46	32	12	1,5
12	956 701 122	2	5,8	58	44	12	1,5

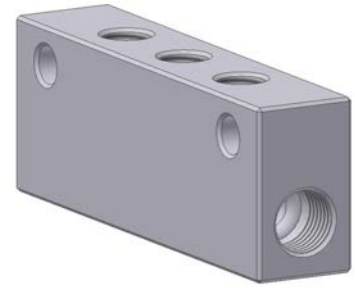
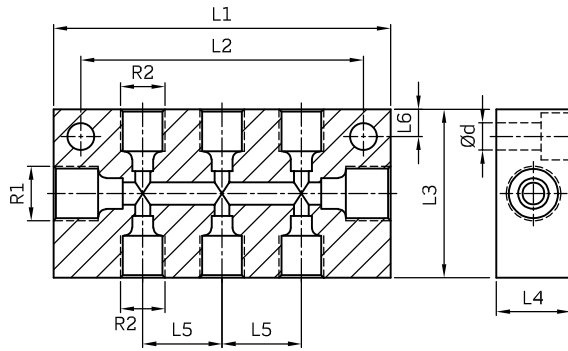
Distributor manifolds



Material: steel with special anti-corrosion treatment.

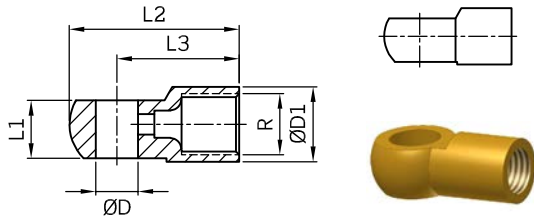
Tube Ø	Reference	Type	R1	R2	L1	L2	L3	L4	L5	L6	Ød
4-4	RF01/A-1-441	956 200 441	M8x1	1 x M8x1	30	19	20	10	16	5,5	5,5
4-4	RF01/A-1-442	956 200 442	M8x1	2 x M8x1	46	35	20	10	16	5,5	5,5
4-4	RF01/A-1-443	956 200 443	M8x1	3 x M8x1	62	51	20	10	16	5,5	5,5
4-4	RF01/A-1-444	956 200 444	M8x1	4 x M8x1	78	67	20	10	16	5,5	5,5
4-4	RF01/A-1-445	956 200 445	M8x1	5 x M8x1	94	83	20	10	16	5,5	5,5
4-4	RF01/A-1-446	956 200 446	M8x1	6 x M8x1	110	99	20	10	16	5,5	5,5
4-4	RF01/A-1-447	956 200 447	M8x1	7 x M8x1	126	115	20	10	16	5,5	5,5
4-4	RF01/A-1-448	956 200 448	M8x1	8 x M8x1	142	131	20	10	16	5,5	5,5
6-4	RF01/A-1-641	956 200 641	M10x1	1 x M8x1	35	24	25	15	16	5,5	5,5
6-4	RF01/A-1-642	956 200 642	M10x1	2 x M8x1	52	41	25	15	16	5,5	5,5
6-4	RF01/A-1-643	956 200 643	M10x1	3 x M8x1	68	51	25	15	16	5,5	5,5
6-4	RF01/A-1-644	956 200 644	M10x1	4 x M8x1	84	73	25	15	16	5,5	5,5
6-4	RF01/A-1-645	956 200 645	M10x1	5 x M8x1	100	89	25	15	16	5,5	5,5
6-4	RF01/A-1-646	956 200 646	M10x1	6 x M8x1	116	105	25	15	16	5,5	5,5
6-4	RF01/A-1-647	956 200 647	M10x1	7 x M8x1	132	121	25	15	16	5,5	5,5
6-4	RF01/A-1-648	956 200 648	M10x1	8 x M8x1	148	137	25	15	16	5,5	5,5
8-4	RF01/A-1-841	956 200 841	M12x1	1 x M8x1	35	24	25	15	16	5,5	5,5
8-4	RF01/A-1-842	956 200 842	M12x1	2 x M8x1	52	41	25	15	16	5,5	5,5
8-4	RF01/A-1-843	956 200 843	M12x1	3 x M8x1	68	51	25	15	16	5,5	5,5
8-4	RF01/A-1-844	956 200 844	M12x1	4 x M8x1	84	73	25	15	16	5,5	5,5
8-4	RF01/A-1-845	956 200 845	M12x1	5 x M8x1	100	89	25	15	16	5,5	5,5
8-4	RF01/A-1-846	956 200 846	M12x1	6 x M8x1	116	105	25	15	16	5,5	5,5
8-4	RF01/A-1-847	956 200 847	M12x1	7 x M8x1	132	121	25	15	16	5,5	5,5
8-4	RF01/A-1-848	956 200 848	M12x1	8 x M8x1	148	137	25	15	16	5,5	5,5
6-6	RF01/A-1-661	956 200 661	M10x1	1 x M10x1	35	24	25	15	18	5,5	5,5
6-6	RF01/A-1-662	956 200 662	M10x1	2 x M10x1	53	42	25	15	18	5,5	5,5
6-6	RF01/A-1-663	956 200 663	M10x1	3 x M10x1	71	60	25	15	18	5,5	5,5
6-6	RF01/A-1-664	956 200 664	M10x1	4 x M10x1	89	78	25	15	18	5,5	5,5
6-6	RF01/A-1-665	956 200 665	M10x1	5 x M10x1	107	96	25	15	18	5,5	5,5
6-6	RF01/A-1-666	956 200 666	M10x1	6 x M10x1	125	114	25	15	18	5,5	5,5
6-6	RF01/A-1-667	956 200 667	M10x1	7x M10x1	143	132	25	15	18	5,5	5,5
6-6	RF01/A-1-668	956 200 668	M10x1	8 x M10x1	161	143	25	15	18	5,5	5,5
8-6	RF01/A-1-862	956 200 862	M14x1,5	2 x M10x1	67	50	30	20	18	6,5	6,5
8-6	RF01/A-1-863	956 200 863	M14x1,5	3 x M10x1	85	68	30	20	18	6,5	6,5
8-6	RF01/A-1-864	956 200 864	M14x1,5	4 x M10x1	103	86	30	20	18	6,5	6,5
8-6	RF01/A-1-865	956 200 865	M14x1,5	5 x M10x1	121	104	30	20	18	6,5	6,5
8-6	RF01/A-1-866	956 200 866	M14x1,5	6 x M10x1	139	122	30	20	18	6,5	6,5
8-6	RF01/A-1-867	956 200 867	M14x1,5	7x M10x1	157	140	30	20	18	6,5	6,5
8-6	RF01/A-1-868	956 200 868	M14x1,5	8 x M10x1	175	158	30	20	18	6,5	6,5
8-8	RF01/A-1-881	956 200 881	M14x1,5	1 x M14x1,5	49	32	35	20	23	6,5	6,5
8-8	RF01/A-1-882	956 200 882	M14x1,5	2 x M12x1	72	55	30	20	23	6,5	6,5
8-8	RF01/A-1-883	956 200 883	M14x1,5	3 x M12x1	95	78	30	20	23	6,5	6,5
8-8	RF01/A-1-884	956 200 884	M14x1,5	4 x M12x1	118	101	30	20	23	6,5	6,5
8-8	RF01/A-1-885	956 200 885	M14x1,5	5 x M12x1	147	130	30	20	23	6,5	6,5
8-8	RF01/A-1-886	956 200 886	M14x1,5	6 x M12x1	164	147	30	20	23	6,5	6,5
8-8	RF01/A-1-887	956 200 887	M14x1,5	7 x M12x1	187	170	30	20	23	6,5	6,5
8-8	RF01/A-1-888	956 200 888	M14x1,5	8 x M12x1	210	193	30	20	23	6,5	6,5
10-10	RF01/A-1-551	956 200 551	M16x1,5	1 x M16x1,5	49	32	35	20	23	6,5	6,5
10-8	RF01/A-1-582	956 200 582	M16x1,5	2 x M14x1,5	72	55	35	20	23	6,5	6,5
10-8	RF01/A-1-583	956 200 583	M16x1,5	3 x M14x1,5	95	78	35	20	23	6,5	6,5
10-8	RF01/A-1-584	956 200 584	M16x1,5	4 x M14x1,5	118	101	35	20	23	6,5	6,5
10-8	RF01/A-1-585	956 200 585	M16x1,5	5 x M14x1,5	147	130	35	20	23	6,5	6,5
10-8	RF01/A-1-586	956 200 586	M16x1,5	6 x M14x1,5	164	147	35	20	23	6,5	6,5

Distributor manifolds



Material: steel with special anti-corrosion treatment.

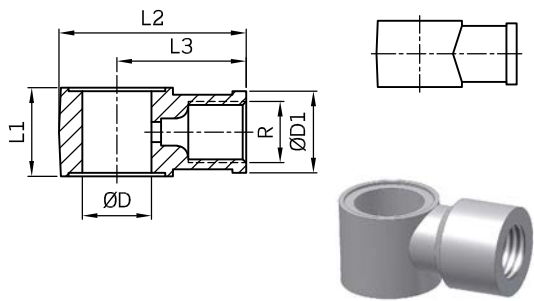
Tube Ø	Reference	Type	R1	R2	L1	L2	L3	L4	L5	L6	Ød
4-4	RF02/A-1-441	956 201 441	M8x1	2 x M8x1	30	20	30	10	16	5,5	5,5
4-4	RF02/A-1-442	956 201 442	M8x1	4 x M8x1	46	35	30	10	16	5,5	5,5
4-4	RF02/A-1-443	956 201 443	M8x1	6 x M8x1	62	51	30	10	16	5,5	5,5
4-4	RF02/A-1-444	956 201 444	M8x1	8 x M8x1	78	67	30	10	16	5,5	5,5
4-4	RF02/A-1-445	956 201 445	M8x1	10 x M8x1	94	83	30	10	16	5,5	5,5
4-4	RF02/A-1-446	956 201 446	M8x1	12 x M8x1	110	99	30	10	16	5,5	5,5
4-4	RF02/A-1-447	956 201 447	M8x1	14 x M8x1	126	115	30	10	16	5,5	5,5
4-4	RF02/A-1-448	956 201 448	M8x1	16 x M8x1	142	131	30	10	16	5,5	5,5
6-4	RF02/A-1-642	956 201 642	M10x1	4 x M8x1	52	41	30	15	16	5,5	5,5
6-4	RF02/A-1-643	956 201 643	M10x1	6 x M8x1	68	51	30	15	16	5,5	5,5
6-4	RF02/A-1-644	956 201 644	M10x1	8 x M8x1	84	73	30	15	16	5,5	5,5
6-4	RF02/A-1-645	956 201 645	M10x1	10 x M8x1	100	89	30	15	16	5,5	5,5
6-4	RF02/A-1-646	956 201 646	M10x1	12 x M8x1	116	105	30	15	16	5,5	5,5
6-4	RF02/A-1-647	956 201 647	M10x1	14 x M8x1	132	121	30	15	16	5,5	5,5
6-4	RF02/A-1-648	956 201 648	M10x1	16 x M8x1	148	137	30	15	16	5,5	5,5
8-4	RF02/A-1-842	956 201 842	M12x1	4 x M8x1	52	41	30	15	16	5,5	5,5
8-4	RF02/A-1-843	956 201 843	M12x1	6 x M8x1	68	51	30	15	16	5,5	5,5
8-4	RF02/A-1-844	956 201 844	M12x1	8 x M8x1	84	73	30	15	16	5,5	5,5
8-4	RF02/A-1-845	956 201 845	M12x1	10 x M8x1	100	89	30	15	16	5,5	5,5
8-4	RF02/A-1-846	956 201 846	M12x1	12 x M8x1	116	105	30	15	16	5,5	5,5
8-4	RF02/A-1-847	956 201 847	M12x1	14 x M8x1	132	121	30	15	16	5,5	5,5
8-4	RF02/A-1-848	956 201 848	M12x1	16 x M8x1	148	137	30	15	16	5,5	5,5
6-6	RF02/A-1-661	956 201 661	M10x1	2 x M10x1	35	24	35	15	18	5,5	6,5
6-6	RF02/A-1-662	956 201 662	M10x1	4 x M10x1	53	42	35	15	18	5,5	6,5
6-6	RF02/A-1-663	956 201 663	M10x1	6 x M10x1	71	60	35	15	18	5,5	6,5
6-6	RF02/A-1-664	956 201 664	M10x1	8 x M10x1	89	78	35	15	18	5,5	6,5
6-6	RF02/A-1-665	956 201 665	M10x1	10 x M10x1	107	96	35	15	18	5,5	6,5
6-6	RF02/A-1-666	956 201 666	M10x1	12 x M10x1	125	114	35	15	18	5,5	6,5
6-6	RF02/A-1-667	956 201 667	M10x1	14 x M10x1	143	132	35	15	18	5,5	6,5
6-6	RF02/A-1-668	956 201 668	M10x1	16 x M10x1	161	143	35	15	18	5,5	6,5
8-6	RF02/A-1-862	956 201 862	M14x1,5	4 x M10x1	67	50	35	20	18	6,5	6,5
8-6	RF02/A-1-863	956 201 863	M14x1,5	6 x M10x1	85	68	35	20	18	6,5	6,5
8-6	RF02/A-1-864	956 201 864	M14x1,5	8 x M10x1	103	86	35	20	18	6,5	6,5
8-6	RF02/A-1-865	956 201 865	M14x1,5	10 x M10x1	121	104	35	20	18	6,5	6,5
8-6	RF02/A-1-866	956 201 866	M14x1,5	12 x M10x1	139	122	35	20	18	6,5	6,5
8-6	RF02/A-1-867	956 201 867	M14x1,5	14 x M10x1	157	140	35	20	18	6,5	6,5
8-6	RF02/A-1-868	956 201 868	M14x1,5	16 x M10x1	175	158	35	20	18	6,5	6,5
8-8	RF02/A-1-881	956 201 881	M14x1,5	2 x M14x1,5	50	32	50	20	23	6,5	6,5
8-8	RF02/A-1-882	956 201 882	M14x1,5	4 x M12x1	72	55	35	20	23	6,5	6,5
8-8	RF02/A-1-883	956 201 883	M14x1,5	6 x M12x1	95	78	35	20	23	6,5	6,5
8-8	RF02/A-1-884	956 201 884	M14x1,5	8 x M12x1	118	101	35	20	23	6,5	6,5
8-8	RF02/A-1-885	956 201 885	M14x1,5	10 x M12x1	147	130	35	20	23	6,5	6,5
8-8	RF02/A-1-886	956 201 886	M14x1,5	12 x M12x1	164	147	35	20	23	6,5	6,5
8-8	RF02/A-1-887	956 201 887	M14x1,5	14 x M12x1	187	170	35	20	23	6,5	6,5
8-8	RF02/A-1-888	956 201 888	M14x1,5	16 x M12x1	210	193	35	20	23	6,5	6,5
10-10	RF02/A-1-551	956 201 551	M16x1,5	2 x M16x1,5	49	32	50	20	23	6,5	6,5
10-8	RF02/A-1-582	956 201 582	M16x1,5	4 x M14x1,5	72	55	50	20	23	6,5	6,5
10-8	RF02/A-1-583	956 201 583	M16x1,5	6 x M14x1,5	95	78	50	20	23	6,5	6,5
10-8	RF02/A-1-584	956 201 584	M16x1,5	8 x M14x1,5	118	101	50	20	23	6,5	6,5
10-8	RF02/A-1-585	956 201 585	M16x1,5	10 x M14x1,5	147	130	50	20	23	6,5	6,5
10-8	RF02/A-1-586	956 201 586	M16x1,5	12 x M14x1,5	164	147	50	20	23	6,5	6,5



Swivelling union (simple)

Tube Ø	Reference	R	ØD	ØD1	L1	L2	L3
2,5	956 500 020	M6x0,75	6	8	7	19	13
2,5	956 500 021	M6x0,75	8	8	8	21	14
4	956 500 041	M8x1	6	10	7,5	25	18
4	956 500 042	M8x1	8	10	8	25	18

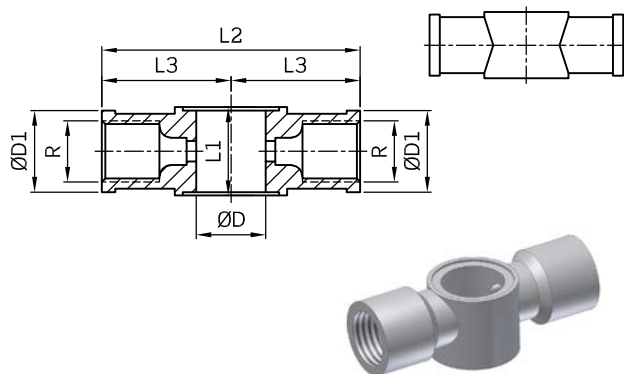
Material: steel with special anti-corrosion treatment.



Swivelling union (simple)

Tube Ø	Reference	R	ØD	ØD1	L1	L2	L3
4	956 500 044	M8x1	8	12	13	27	19
4	956 500 040	M8x1	10	12	13	27	19
6	956 500 060	M10x1	10	14	13	29	21
6	956 500 061	M10x1	14	14	17	35	25
6	956 500 062	M10x1	12	14	17	35	25
8	956 500 080	M14x1,5	14	18	17	37	27
8	956 500 081	M12x1	14	18	17	37	27
8	956 500 082	M14x1,5	12	18	17	37	27
8	956 500 083	M12x1	12	18	17	37	27
10	956 500 100	M16x1,5	16	20	20	40	20

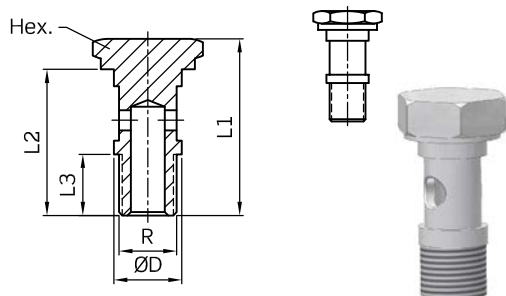
Material:ZAMAK



Swivelling union (double)

Tube Ø	Reference	R	ØD	ØD1	L1	L2	L3
4	956 501 040	M8x1	10	12	13	38	19
4	956 501 041	M8x1	8	12	13	38	19
6	956 501 060	M10x1	10	14	13	42	21
6	956 501 061	M10x1	14	14	17	50	25
6	956 501 062	M10x1	12	14	17	50	25
8	956 501 080	M14x1,5	14	17	17	54	27
8	956 501 081	M12x1	14	17	17	54	27
8	956 501 082	M14x1,5	12	17	17	54	27
8	956 501 083	M12x1	12	17	17	54	27
10	956 501 100	M16x1,5	16	20	20	58	29

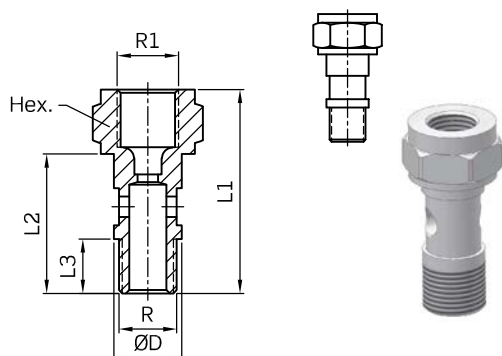
Material:ZAMAK



Simple bolt for banjo fitting

Reference	R	ØD	L1	L2	L3	Hex
956 502 020	M6x1	6	18	15	6,5	9
956 502 021	M6x0,75	6	18	15	6,5	9
956 502 022	M8x1	8	20	17	8,5	11
956 502 041	M8x1	8	26	21	8	11
956 502 044	M8x1	8	20	16	7	11
956 502 040	M8x1,25	8	23	18	9	11
956 502 042	M10x1	10	26	22	9	14
956 502 043	G1/8	10	27	22	9	14
956 502 062	M12x1	12	34	27	9	17
956 502 063	G1/4	14	35	28	10	17
956 502 064	M14x1,5	12	34	27	9	17
956 502 100	M16x1,5	16	37	29	9	19

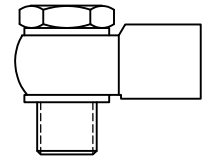
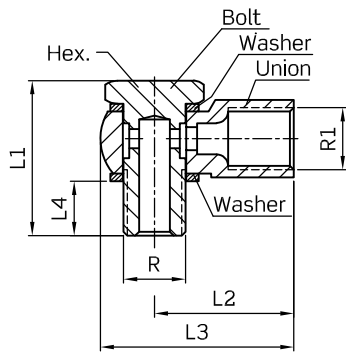
Material: steel with special anti-corrosion treatment.



Double bolt for banjo fitting

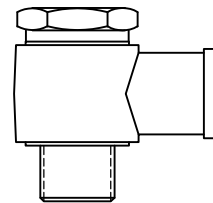
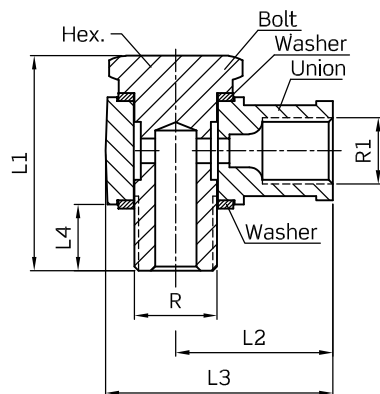
Reference	R	R1	ØD	L1	L2	L3	Hex
956 503 041	M8x1	M8x1	8	31	19	8,5	11
956 503 042	M10x1	M8x1	10	30	20	8	14
956 503 043	M8x1	M8x1	8	29	17	8,5	11
956 503 060	M10x1	M10x1	10	33	20	8	14
956 503 061	M12x1	M10x1	12	38	26	9	17
956 503 063	G1/4	M10x1	14	40	26	9	17
956 503 080	M14x1,5	M10x1	14	40	26	9	17
956 503 081	M12x1	M14x1,5	12	44	26	9	17
956 503 082	M14x1,5	M14x1,5	14	44	26	9	17
956 503 083	G1/4	M14x1,5	14	44	26	9	17
956 503 100	M16x1,5	M16x1,5	16	51	28	9	19

Material: steel with special anti-corrosion treatment.



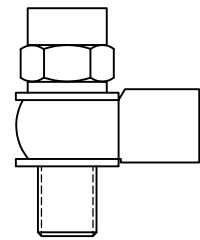
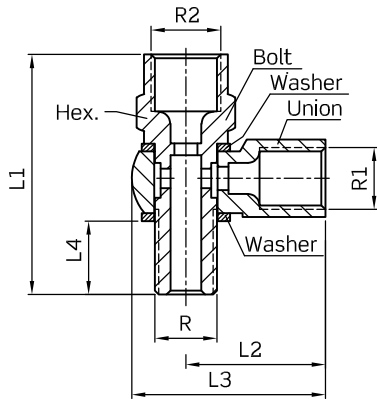
Banjo fittings, elbow shape

Tube Ø	Reference	R	R1	L1	L2	L3	L4	Hex	Ref. union	Ref. bolt	Ref. washer
2,5	957 000 020	M6x1	M6x0,75	18	13	19	6	9	956 500 020	956 502 020	956 600 001
2,5	957 000 021	M6x0,75	M6x0,75	18	13	19	6	9	956 500 020	956 502 021	956 600 001
2,5	957 000 022	M8x1	M6x0,75	20	14	21	5,5	11	956 500 021	956 502 044	956 600 002
4	957 000 040	M8x1,25	M8x1	23	18	25	7,5	11	956 500 042	956 502 040	956 600 002
4	957 000 041	M8x1	M8x1	23	18	25	7	11	956 500 042	956 502 022	956 600 002
4	957 000 044	M6x1	M8x1	18	18	25	5,5	9	956 500 041	956 502 020	956 600 001
4	957 000 045	M6x0,75	M8x1	18	18	25	5,5	9	956 500 041	956 502 021	956 600 001



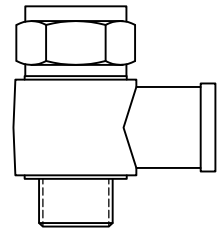
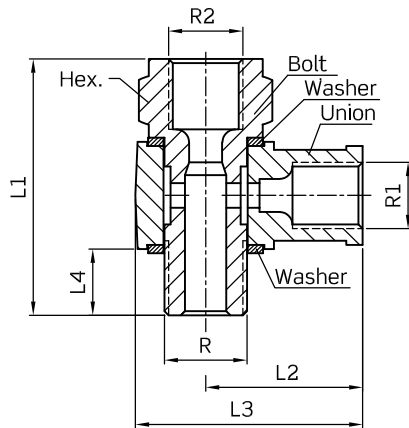
Banjo fittings, elbow shape

Tube Ø	Reference	R	R1	L1	L2	L3	L4	Hex	Ref. union	Ref. bolt	Ref. washer
4	957 000 046	M8x1	M8x1	26	19	27,5	7	11	956 500 044	956 502 041	956 600 002
4	957 000 042	M10x1	M8x1	26	19	27,5	7,5	14	956 500 040	956 502 042	956 600 003
4	957 000 043	G1/8	M8x1	27	19	27,5	7,5	14	956 500 040	956 502 043	956 600 003
6	957 000 060	M10x1	M10x1	26	21	29,5	7,5	14	956 500 060	956 502 042	956 600 003
6	957 000 061	G1/8	M10x1	27	21	29,5	7,5	14	956 500 060	956 502 043	956 600 003
6	957 000 062	M12x1	M10x1	34	25	35,2	7,5	17	956 500 062	956 502 062	956 600 004
6	957 000 063	G1/4	M10x1	35	25	35,2	8,5	17	956 500 061	956 502 063	956 600 007
6	957 000 064	M14x1,5	M10x1	34	25	35,2	8,5	17	956 500 061	956 502 064	956 600 007
8	957 000 080	M12x1	M12x1	34	27	37,2	7,5	17	956 500 083	956 502 062	956 600 004
8	957 000 081	M12x1	M14x1,5	34	27	37,2	7,5	17	956 500 082	956 502 062	956 600 004
8	957 000 082	M14x1,5	M12x1	34	27	37,2	7,5	17	956 500 081	956 502 064	956 600 007
8	957 000 083	M14x1,5	M14x1,5	34	27	37,2	7,5	17	956 500 080	956 502 064	956 600 007
8	957 000 084	G1/4	M12x1	35	27	37,2	8,5	17	956 500 081	956 502 063	956 600 007
8	957 000 085	G1/4	M14x1,5	35	27	37,2	8,5	17	956 500 080	956 502 063	956 600 007
10	957 000 100	M16x1,5	M16x1,5	36,5	29	40,5	6,5	19	956 500 100	956 502 100	956 600 008



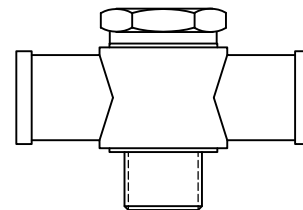
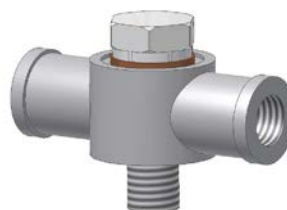
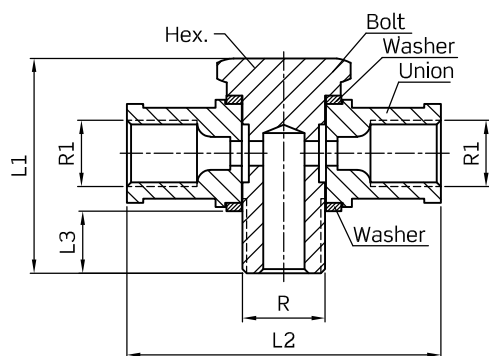
Banjo fittings, "L" type

TubeØ	Reference	R	R1	R2	L1	L2	L3	L4	Hex	Ref. union	Ref. bolt	Ref. washer
2,5	957 200 022	M8x1	M6x0,75	M8x1	29	14	21	7	11	956 500 021	956 50 043	956 600 002
4	957 200 041	M8x1	M8x1	M8x1	29	18	25	7	11	956 500 042	956 503 043	956 600 002



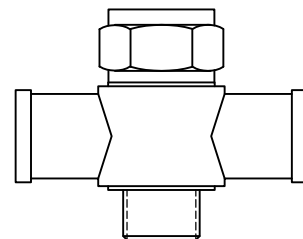
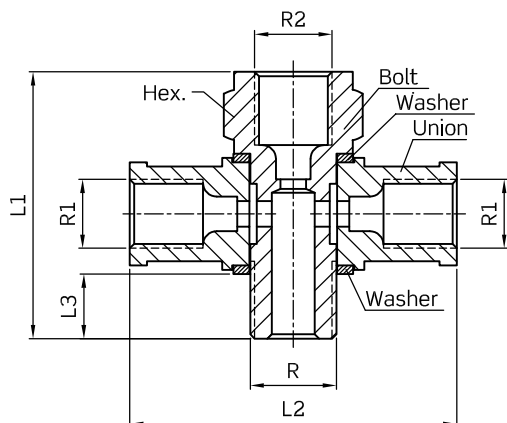
Banjo fittings, "L" type

TubeØ	Reference	R	R1	R2	L1	L2	L3	L4	Hex	Ref. union	Ref. bolt	Ref. washer
4	957 200 042	M10x1	M8x1	M8x1	30	19	27,5	6,5	14	956 500 044	956 503 042	956 600 003
4/6	957 200 045	M10x1	M8x1	M10x1	33	19	27,5	6,5	14	956 500 040	956 503 060	956 600 003
6	957 200 060	M10x1	M10x1	M10x1	33	21	29,5	6,5	14	956 500 060	956 503 060	956 600 003
6	957 200 062	M12x1	M10x1	M10x1	38	21	29,5	7,5	14	956 500 062	956 503 061	956 600 004
6	957 200 063	M14x1,5	M10x1	M10x1	40	25	35,2	7,5	17	956 500 061	956 503 080	956 600 007
6/8	957 200 066	M12x1	M10x1	M14x1,5	44	25	35,2	8,5	17	956 500 062	956 503 081	956 600 004
6/8	957 200 067	M14x1,5	M10x1	M14x1,5	44	25	35,2	8,5	17	956 500 061	956 503 082	956 600 007
8	957 200 081	M12x1	M14x1,5	M14x1,5	44	27	37,2	7,5	17	956 500 082	956 503 081	956 600 004
8	957 200 088	G1/4	M14x1,5	M14x1,5	44	27	37,2	7,5	17	956 500 080	956 503 083	956 600 007
8	957 200 083	M14x1,5	M14x1,5	M14x1,5	44	27	37,2	7,5	17	956 500 080	956 503 082	956 600 007
8	957 201 081	M12x1	M12x1	M14x1,5	44	27	37,2	7,5	17	956 500 083	956 503 081	956 600 004
8	957 201 088	G1/4	M12x1	M14x1,5	44	27	37,2	8,5	17	956 500 081	956 503 083	956 600 007
8	957 201 083	M14x1,5	M12x1	M14x1,5	44	27	37,2	8,5	17	956 500 081	956 503 082	956 600 007
8	957 201 090	G1/4	M12x1	G1/4	40	27	37,2	7,5	17	956 800 081		
8/6	957 200 086	M12x1	M14x1,5	M10x1	38	27	37,2	7,5	17	956 500 082	956 503 061	956 600 004
8/6	957 200 089	G1/4	M14x1,5	M10x1	40	27	37,2	7,5	17	956 500 080	956 503 063	956 600 007
8/6	957 200 087	M14x1,5	M14x1,5	M10x1	40	27	37,2	7,5	17	956 500 080	956 503 080	956 600 007
8/6	957 201 086	M12x1	M12x1	M10x1	38	27	37,2	7,5	17	956 500 083	956 503 061	956 600 004
8/6	957 201 089	G1/4	M12x1	M10x1	40	27	37,2	7,5	17	956 500 081	956 503 063	956 600 007
8/6	957 201 087	M14x1,5	M12x1	M10x1	40	27	37,2	7,5	17	956 500 081	956 503 080	956 600 007
10	957 200 100	M16x1,5	M16x1,5	M16x1,5	51	29	40,5	6,5	19	956 500 100	956 503 100	956 600 008



Banjo fittings, Tee type

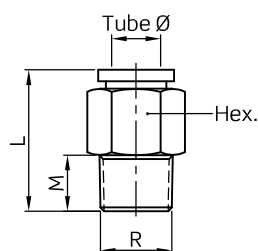
Tube Ø	Reference	R	R1	L1	L2	L3	Hex	Ref. union	Ref. bolt	Ref. washer
4	957 100 041	M8x1	M8x1	26	38	6,5	11	956 50 041	956 502 041	956 600 002
4	957 100 042	M10x1	M8x1	26	38	7,5	14	956 501 040	956 502 042	956 600 003
4	957 100 043	G1/8	M8x1	27	38	7,5	14	956 501 040	956 502 043	956 600 003
6	957 100 060	M10x1	M10x1	26	42	7,5	14	956 501 060	956 502 042	956 600 003
6	957 100 061	G1/8	M10x1	27	42	7,5	14	956 501 060	956 502 043	956 600 003
6	957 100 062	M12x1	M10x1	34	50	7,5	17	956 501 062	956 502 062	956 600 004
6	957 100 063	G1/4	M10x1	35	50	8,5	17	956 501 061	956 502 063	956 600 007
6	957 100 064	M14x1,5	M10x1	34	50	7,5	17	956 501 061	956 502 064	956 600 007
8	957 100 080	M12x1	M12x1	34	54	7,5	17	956 501 083	956 502 062	956 600 004
8	957 100 081	M12x1	M14x1,5	34	54	7,5	17	956 501 082	956 502 062	956 600 004
8	957 100 082	M14x1,5	M12x1	34	54	7,5	17	956 501 081	956 502 064	956 600 007
8	957 100 083	M14x1,5	M14x1,5	34	54	7,5	17	956 501 080	956 502 064	956 600 007
8	957 100 084	G1/4	M12x1	35	54	8,5	17	956 501 081	956 502 063	956 600 007
8	957 100 085	G1/4	M14x1,5	35	54	8,5	17	956 501 080	956 502 063	956 600 007
10	957 100 100	M16x1,5	M16x1,5	36,5	58	6,5	19	956 501 100	956 502 100	956 600 008



Banjo fittings, cross shape

TubeØ	Reference	R	R1	R2	L1	L2	L4	Hex	Ref. union	Ref. bolt	Ref. washer
4	957 300 041	M8x1	M8x1	M8x1	31	38	5,5	11	956 501 041	956 503 041	956 600 002
4	957 300 042	M10x1	M8x1	M8x1	30	38	6,5	14	956 501 040	956 503 042	956 600 003
4/6	957 300 045	M10x1	M8x1	M10x1	33	38	6,5	14	956 501 040	956 503 060	956 600 003
6	957 300 060	M10x1	M10x1	M10x1	33	52	6,5	14	956 501 060	956 503 060	956 600 003
6	957 300 062	M12x1	M10x1	M10x1	38	50	7,5	14	956 501 062	956 503 061	956 600 004
6	957 300 063	M14x1,5	M10x1	M10x1	40	50	7,5	17	956 501 061	956 503 080	956 600 007
6/8	957 300 066	M12x1	M10x1	M14x1,5	44	50	8,5	17	956 501 062	956 503 081	956 600 004
6/8	957 300 067	M14x1,5	M10x1	M14x1,5	44	50	7,5	17	956 501 061	956 503 082	956 600 007
8	957 300 081	M12x1	M14x1,5	M14x1,5	44	54	7,5	17	956 501 082	956 503 081	956 600 004
8	957 300 088	G1/4	M14x1,5	M14x1,5	44	54	7,5	17	956 501 080	956 503 083	956 600 006
8	957 300 083	M14x1,5	M14x1,5	M14x1,5	44	54	7,5	17	956 501 080	956 503 082	956 600 007
8	957 301 081	M12x1	M12x1	M14x1,5	44	54	7,5	17	956 501 083	956 503 081	956 600 004
8	957 301 088	G1/4	M12x1	M14x1,5	44	54	8,5	17	956 501 081	956 503 083	956 600 006
8	957 301 083	M14x1,5	M12x1	M14x1,5	44	54	8,5	17	956 501 081	956 503 082	956 600 007
8/6	957 300 086	M12x1	M14x1,5	M10x1	38	54	7,5	17	956 501 082	956 503 061	956 600 004
8/6	957 300 089	G1/4	M14x1,5	M10x1	40	54	7,5	17	956 501 080	956 503 063	956 600 006
8/6	957 300 087	M14x1,5	M14x1,5	M10x1	40	54	7,5	17	956 501 080	956 503 080	956 600 007
8/6	957 301 086	M12x1	M12x1	M10x1	38	54	7,5	17	956 501 083	956 503 061	956 600 004
8/6	957 301 089	G1/4	M12x1	M10x1	40	54	8,5	17	956 501 081	956 503 063	956 600 006
8/6	957 301 087	M14x1,5	M12x1	M10x1	40	54	8,5	17	956 501 081	956 503 080	956 600 007
10	957 300 100	M16x1,5	M16x1,5	M16x1,5	51	58	6,5	19	956 501 100	956 503 100	956 600 008

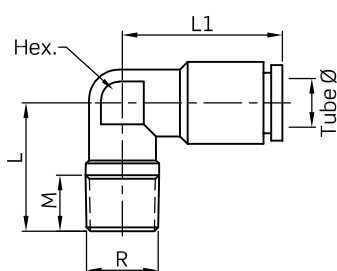
High pressure push-in fittings



Straight fittings



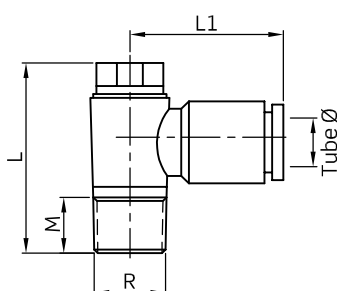
Reference	TubeØ	R	Thread	M	L
954 100 041	4	M6x1K	Tapered	8	25
954 100 043	4	M8x1K	Tapered	8	22
954 100 044	4	M10x1K	Tapered	8	21
954 100 045	4	G1/8K	Tapered	7.5	21
954 100 061	6	M6x1K	Tapered	8	28
954 100 063	6	M8x1K	Tapered	8	28
954 100 064	6	M10x1K	Tapered	8	24
954 100 065	6	G1/8K	Tapered	7,5	24
954 100 066	6	G1/4K	Tapered	10	26



Elbow



Reference	TubeØ	R	Thread	M	L	L1
954 200 041	4	M6x1K	Tapered	6	17	21
954 200 042	4	M8x1K	Tapered	8	17	21
954 200 043	4	M10x1K	Tapered	8	17	21
954 200 044	4	G1/8K	Tapered	7.5	17	21
954 200 061	6	M6x1K	Tapered	6	20	22
954 200 062	6	M8x1K	Tapered	8	20	22
954 200 063	6	M10x1K	Tapered	8	20	22
954 200 064	6	G1/8K	Tapered	7,5	20	22



Swivelling elbow



Reference	TubeØ	R	Thread	M	L	L1
954 300 041	4	M6x1K	Tapered	8	25,5	22
954 300 043	4	M8x1K	Tapered	8	25,5	22
954 300 044	4	M10x1K	Tapered	8	25,5	22
954 300 045	4	G1/8K	Tapered	7.5	25	22
954 300 061	6	M6x1K	Tapered	8	25,5	24
954 300 063	6	M8x1K	Tapered	8	25,5	24
954 300 064	6	M10x1	Tapered	8	25,5	24
954 300 065	6	G1/8K	Tapered	7,5	25	24
954 300 066	6	G1/4K	Tapered	11	28	24

Technical data	
Recommended tubbings	Ø4x1,5 - Ø6x3 nylon tubes
Aceptable tolarence on the tubbings	± 0,05mm
Working temperature	-20° ÷ +70°C
Maximum pressure	150 bar
Body material	Brass UNI EN 12164-5 nickel plated
Gripping collet material	Brass UNI EN 12164
Assembly instructions	Insert the tube into the fitting until it bottoms. Correct grabbing is done after the second "click".

High-pressure hoses, suitable for self installation

To connect the main line between the pump and distributors, as well as secondary lines from the distributor to the lubrication points.

Straight coupling



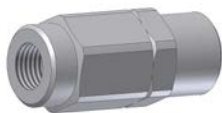
Material: steel with surface treatment.

Bent coupling



Material: steel with surface treatment.

Threaded sleeve



Material: steel with surface treatment.

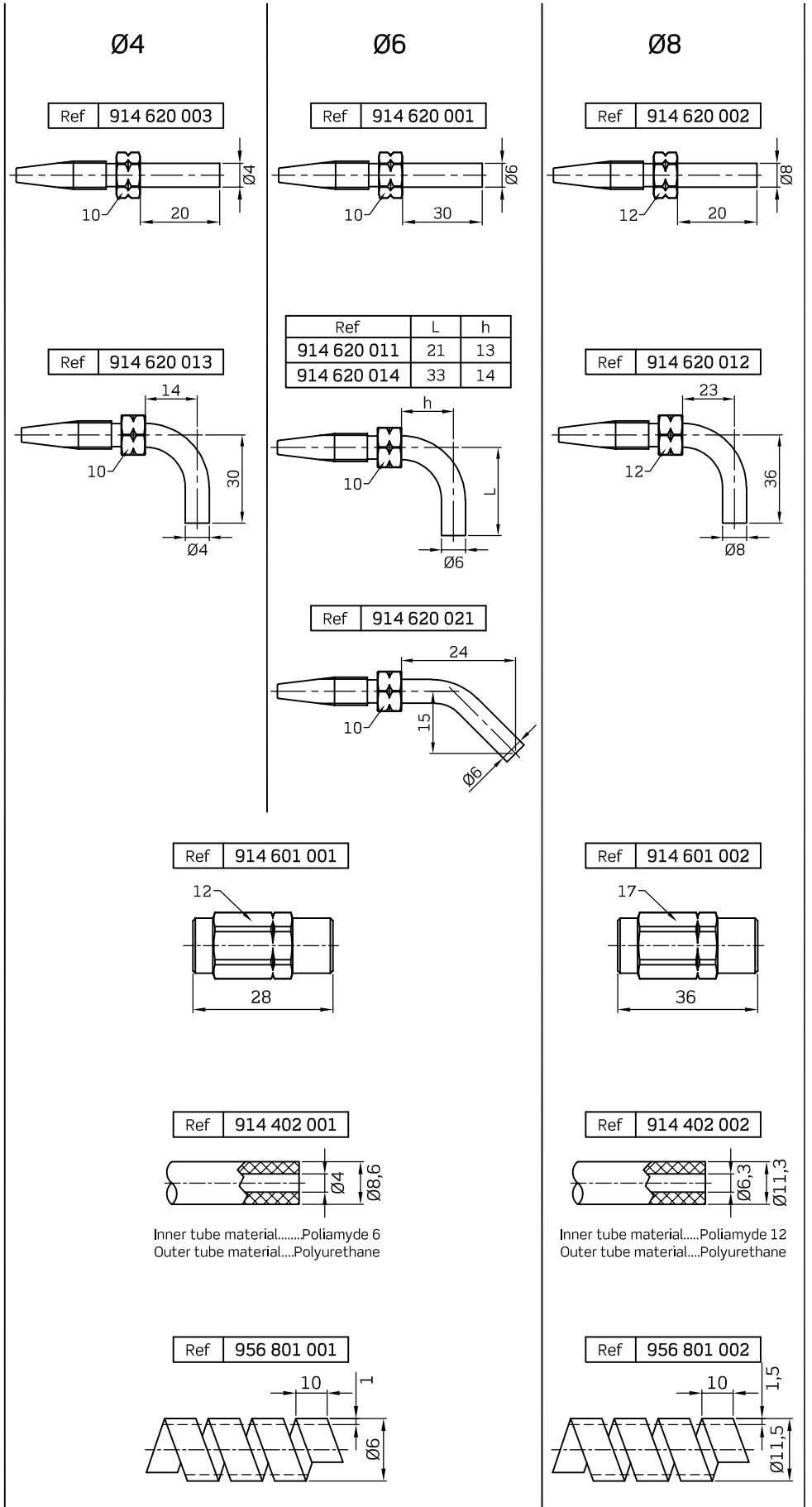
Hose

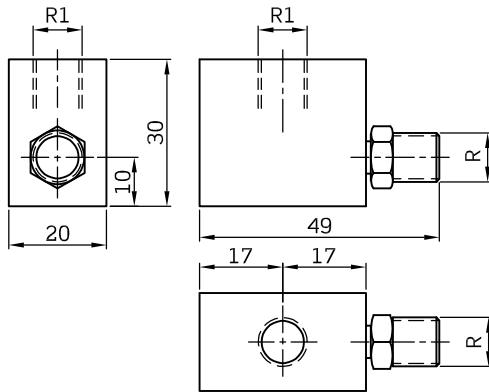


Working temperature..... -30°C...+80°C
 Burst pressure...20°C>800bar/60°C>450bar
 Maximum bending radius.....20°C>20mm
 Working pressure..... máximo 280bar

Hose protection

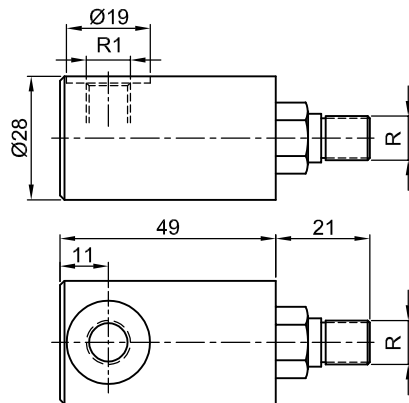
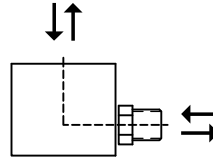
25 metre length rolls





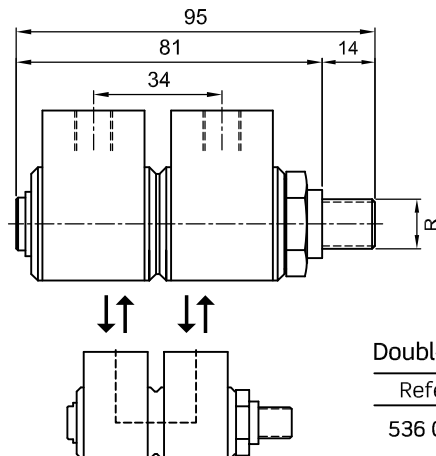
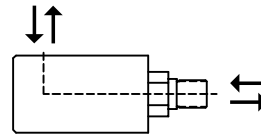
Rotary fittings for oil

Reference	R	R1
536 010 100	G1/8	G1/8
536 010 110	G1/4	G1/8



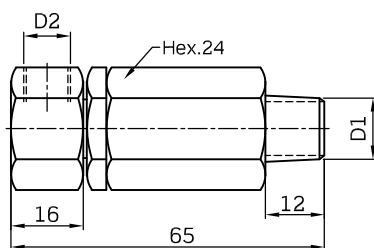
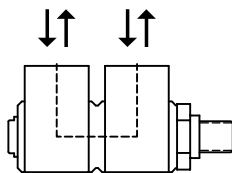
Rotary fittings for oil

Reference	R	R1
536 000 100	M10x1	G1/8
536 000 200	M14x1,5	G1/8
536 000 300	M10x1	M14x1,5
536 000 400	M14x1,5	M14x1,5



Double rotary fitting for oil

Reference	R	R1
536 020 000	G1/4	M10x1



Rotary fitting for oil and grease

Reference	R	R1
939 600 004	G1/4K	G1/4

(Max. 500 rpm)

